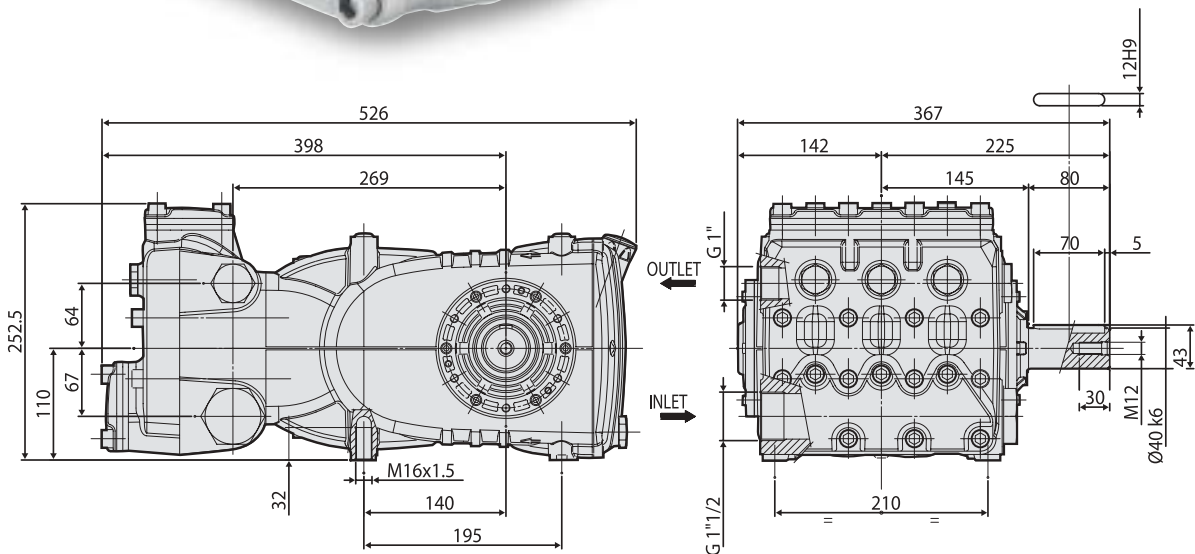


KF series



Tipo pompa Pump type	Portata Volume		Pressione Pressure		g/min r.p.m.	Potenza Required		Peso kg Weight kg	Dimensioni mm Dimensions mm
	l/min	US Gpm	bar	p.s.i.		hp	kW		
KF 28	92	24.4	210	3045	1000	50	37.0	71	526x367x253
KF 30	106	28.0	200	2900	1000	55	40.0	71	526x367x253
KF 36	122	32.2	160	2320	800	50	37.0	71	526x367x253
	137	36.2	140	2050	900	50	37.0	71	526x367x253
KF 40	153	40.4	130	1900	1000	52	38.2	71	526x367x253
	170	45.0	110	1600	900	49	36.1	71	526x367x253

Portate tecniche con rendimento volumetrico 100%
 Volumes are theoretical at 100% volumetric efficiency