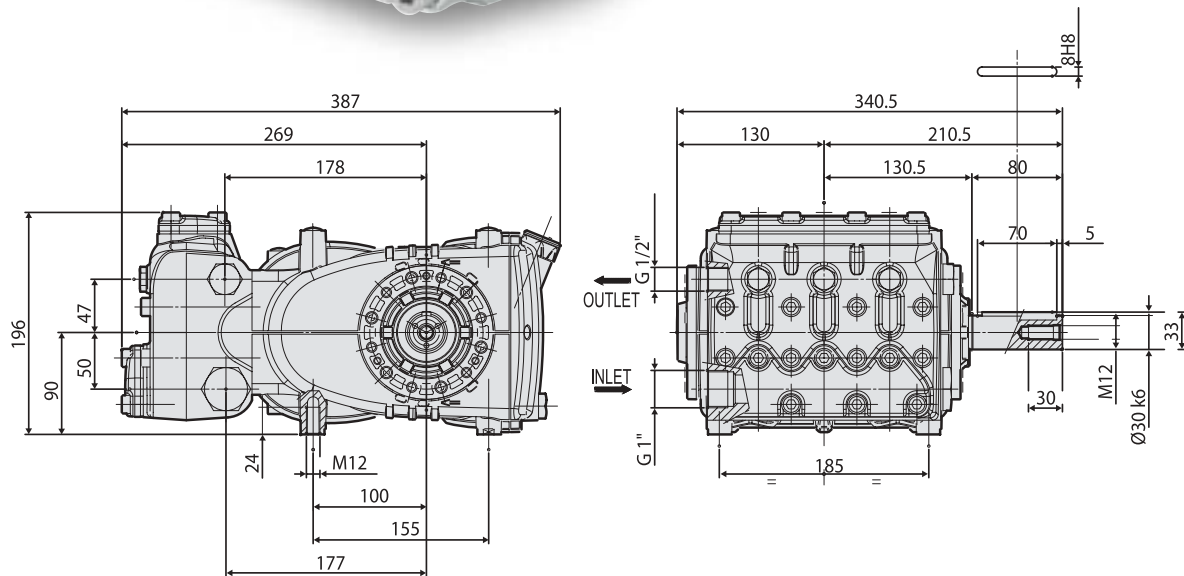


# KE series



Tipo pompa Pump type	Portata Volume		Pressione Pressure		g/min r.p.m.	Potenza Required		Peso kg Weight kg	Dimensioni mm Dimensions mm
	l/min	US Gpm	bar	p.s.i.		hp	kW		
KE 20	31	8.3	300	4350	1450	24	17.8	42	387x341x196
KE 22	38	10.1	250	3650	1450	25	18.1	42	387x341x196
KE 24	45	12.0	210	3050	1450	25	18.1	42	387x341x196
KE 28	61	16.3	150	2150	1450	24	17.8	42	387x341x196
KE 30	70	18.8	130	1850	1450	24	17.8	42	387x341x196

Portate tecniche con rendimento volumetrico 100%  
 Volumes are theoretical at 100% volumetric efficiency