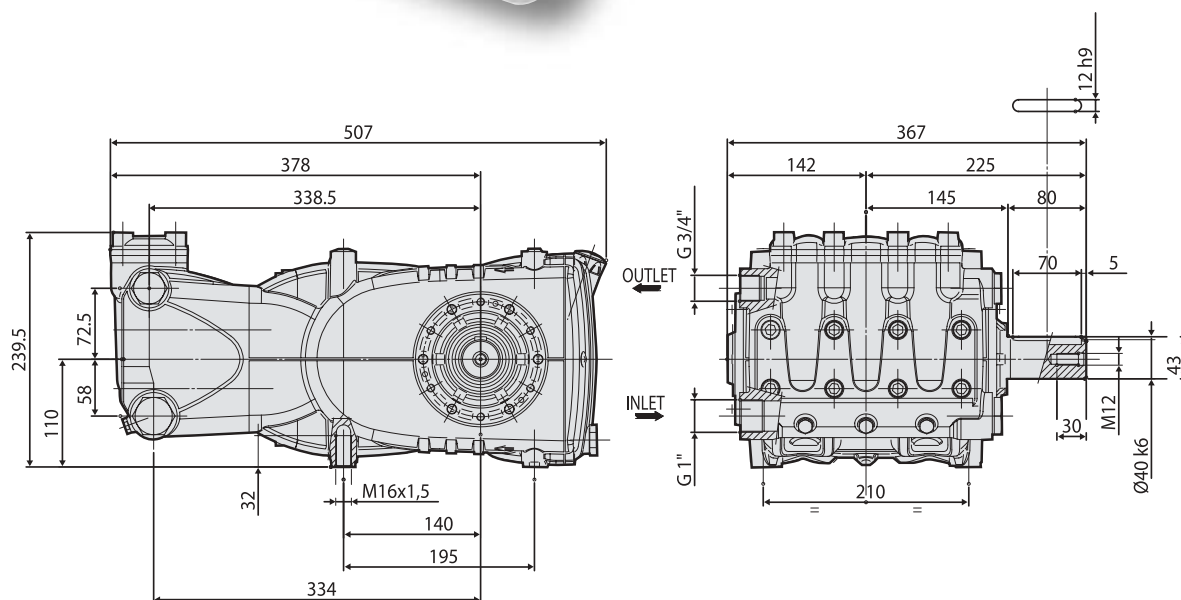


HF series



Tipo pompa Pump type	Portata Volume		Pressione Pressure		g/min r.p.m.	Potenza Required		Peso kg Weight kg	Dimensioni mm Dimensions mm
	l/min	US Gpm	bar	p.s.i.		hp	kW		
HF 18	30	8.1	600	8700	800	48	35.3	63	507x367x240
	38	10.1	500	7250	1000	50	37.0	63	507x367x240
HF 22	45	12.0	400	5800	800	48	35.3	63	507x367x240
HF 25	74	19.4	280	4060	1000	53	39.0	63	507x367x240

Portate tecniche con rendimento volumetrico 100%
 Volumes are theoretical at 100% volumetric efficiency